

**MASI67 I/O MODULE K3**

4 digital inputs, 4 digital, passive safety outputs

Digital inputs/outputs

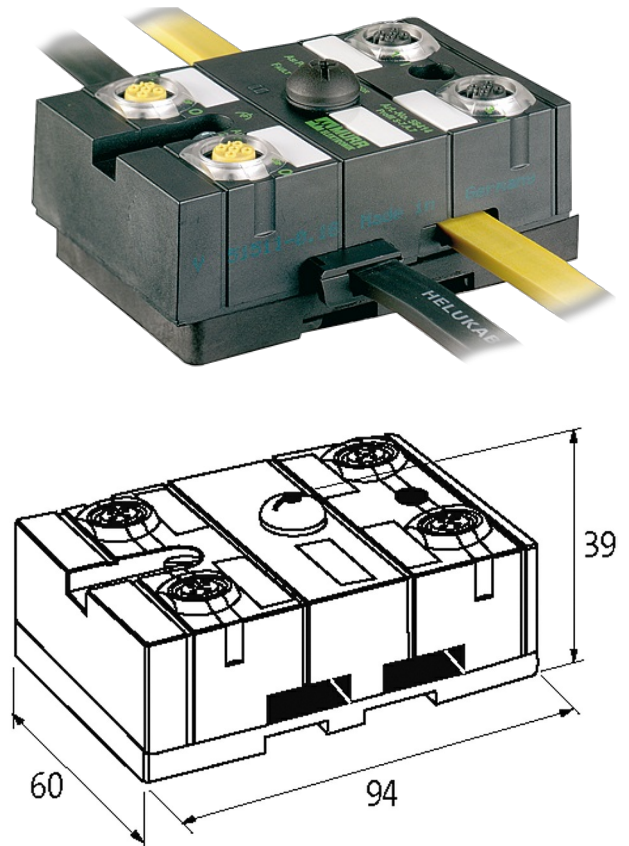
Output groups up to PLd (EN ISO 13849-1) can be switched off via safety relays

DI4 - 0.2 A DO4 - 1.6 A (C) - 4x M12 (AB) (K3)

Double assignment of M12 females, PIN 2 + 4

Connection cables are in the online shop under "Connection Technology".

Housing fully potted.

**Illustration**

Product may differ from Image

**Approvals****Input**

Type	for 3-wire sensors or mechanical switches, PNP
Sensor supply US	max. 200 mA from AS-Interface (short-circuit and overload protected)

**Output**

Supply voltage	24 V DC external (18...30.2 V DC) EN 61131-2, connection via black AS-Interface profile cable
Switching current per output	max. 1.6 A (short-circuit and overload protected)
Total current	2x 3.2 A

**General data**

Protection	IP67
Mounting method	DIN-rail mountable (EN 60715) or screw fixing
Temperature range	-20...+60 °C (storage temperature -20...+70 °C)
Dimensions H×W×D	94×60×39 mm

**Technical Data**

Bus voltage (AS-Interface)	26.5...31.6 V DC
Total current	max. 250 mA
Addressing	via built-in address port or master
Address range	1...62 (1...31 A or B)
Profile (IO/ID/ID2 code)	S-7.A.7
Double assignment of M12 female	yes

**Diagnostic**

Communication status	via LED
Diagnostic via LED	per module
Monitoring - no voltage	yes

**Commercial data**

country of origin	DE
customs tariff number	85176200
EAN	4048879048996
eClass	27242604
Packaging unit	1